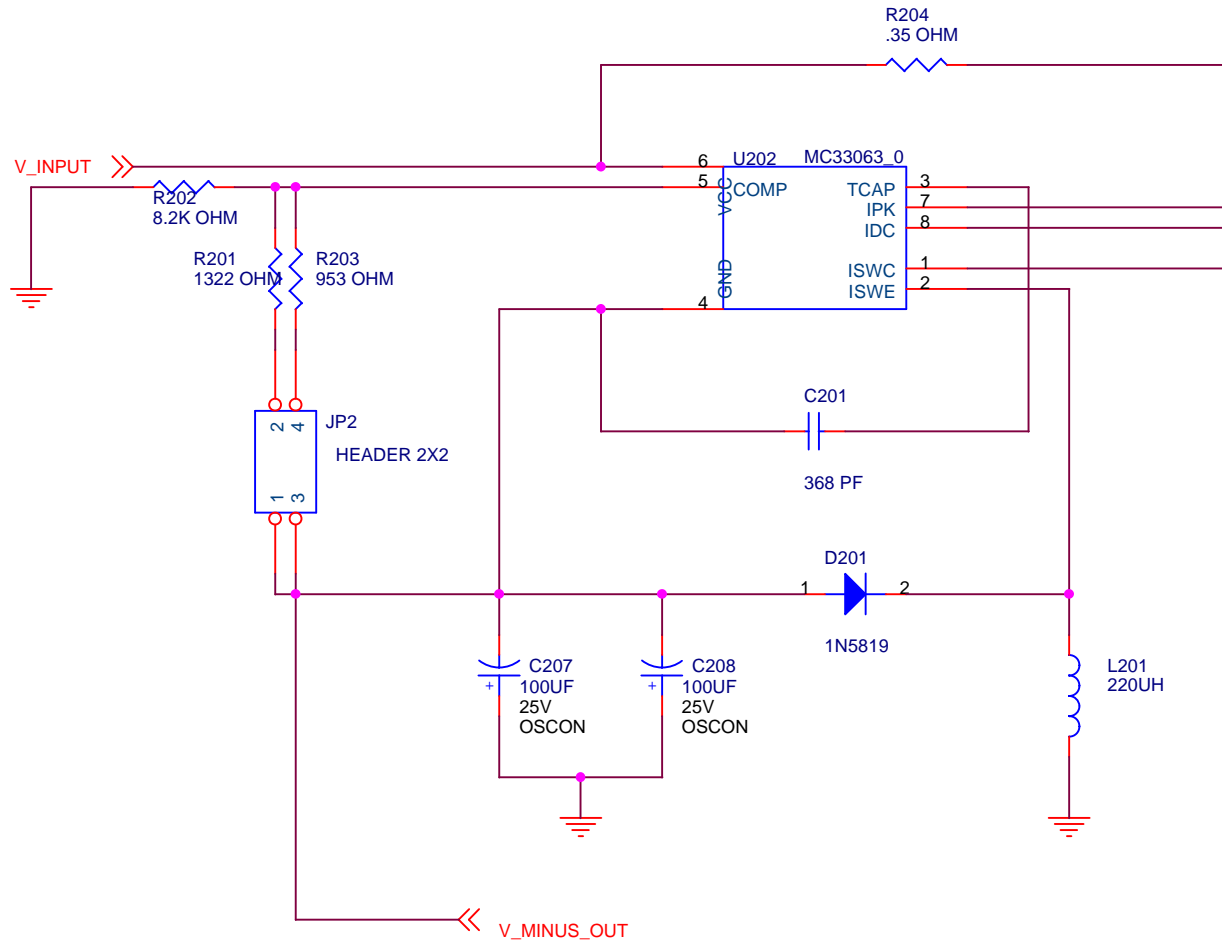


# SchmartBoard, Inc.

Title: Power Module - Programmable Step Down

Size A	Document Number 502-0091-01	Rev 01
Design Engineer: Ray Sato		Layout Engineer: Ray Sato
Date: Wednesday, August 09, 2006		Sheet 1 of 2



# SchmartBoard, Inc.

Title		
Power Module - Inverting DC-DC		
Size	Document Number	Rev
A	502-0091-01	01
Design Engineer: Ray Sato		Layout Engineer: Ray Sato
Date: Wednesday, August 09, 2006		Sheet 2 of 2

5

4

3

2

1

D

D

C

C

B

B

A

A

5

4

3

2

1