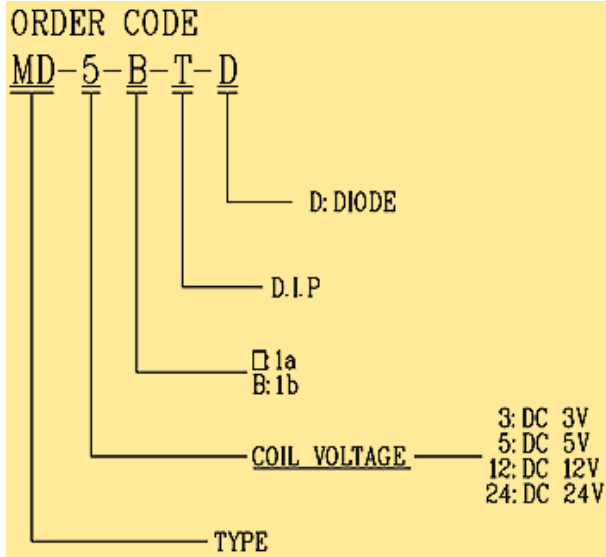




Company Profile New Products Inquiry

MD(T) SERIES



Main Features:

- DIP Reed Relay.
- Completely washable.
- Surge strength 1,500 VDC (between coil & contact).
- Provide high speed, miniature and cost effective switching solution.

COIL RATING (at 20°C)

NOMINAL VOLTAGE (VDC)	COIL RESISTANCE (Ω) (+/- 10%)	POWER CONSUMPTION (W)	NOMINAL CURRENT (mA) (+/- 10%)	PULL IN VOLTAGE (VDC)	DROP OUT VOLTAGE (VDC)	MAX. ALLOWABLE VOLTAGE (VDC)
3V	250 Ω	0.015W	5.0 mA	2.25V	0.5V	5V
5V	500 Ω	0.05W	10.0 mA	3.75V	1.0V	10V
12V	1000 Ω	0.144W	12.0 mA	9.00V	1.2V	20V
24V	2000 Ω	0.266W	11.1 mA	18.00V	2.4V	28V

PERFORMANCE (at initial value)

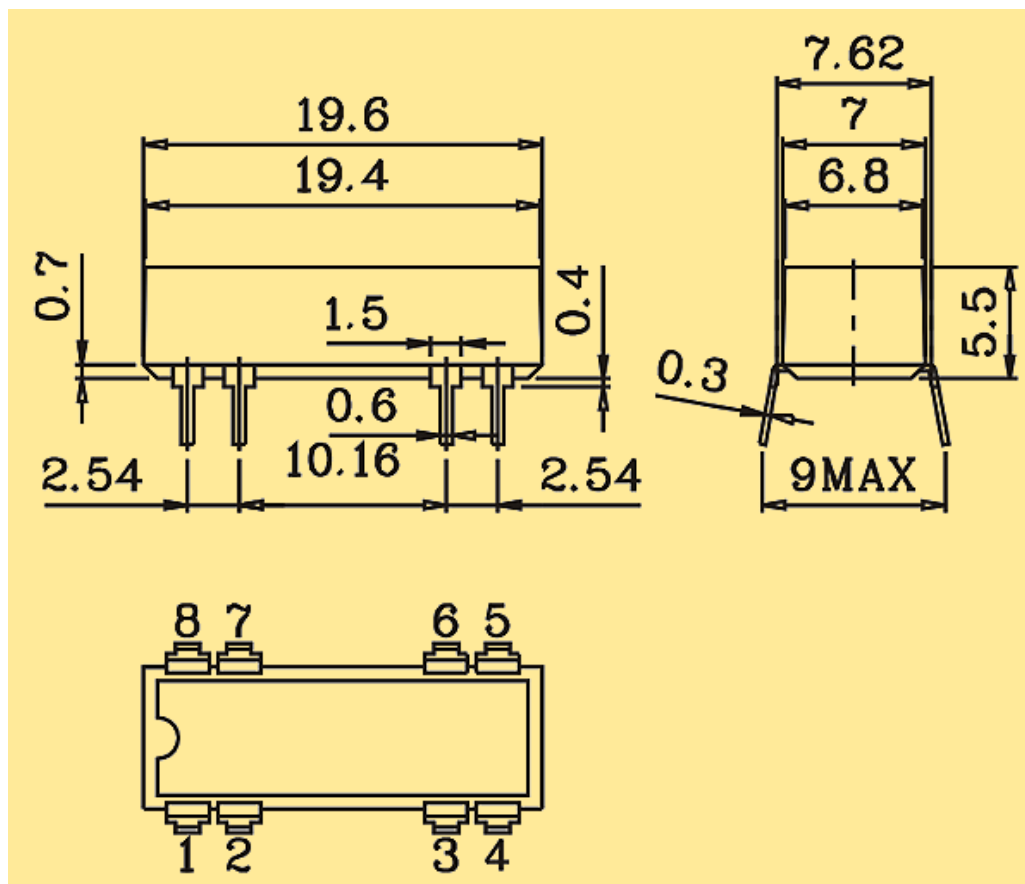
Item	Type	0.5A
Contact Resistance		150mΩ Max. (initial value)
Operate Time		0.5msec Max.
Release Time		0.2msec Max.
Dielectric Strength	between coil & contact between contact	AC 1500V (1min) AC 250V (1min)
Insulation Resistance		100MΩ Min.(DC 100V)
Operating Ambient Temperature		-40°C ~ +85°C
Humidity		35 to 85% RH

Vibration Resistance	10G (10~55Hz) (Dual amplitude:1.5mm)
Shock Resistance	10G
Life Expectancy	100,000,000 ops. Min. (1800 ops./h) 100,000 ops. Min. (0.5A 20VDC , 0.1A 100VDC, 0.5A 20VAC, 0.1A 100VAC, resistive load 1200 ops./h) 50,000,000 ops. Min. (5VDC, 10mA, resistive load 1200 ops./h)
Mechanically Electrically	
Weight	2g (about)

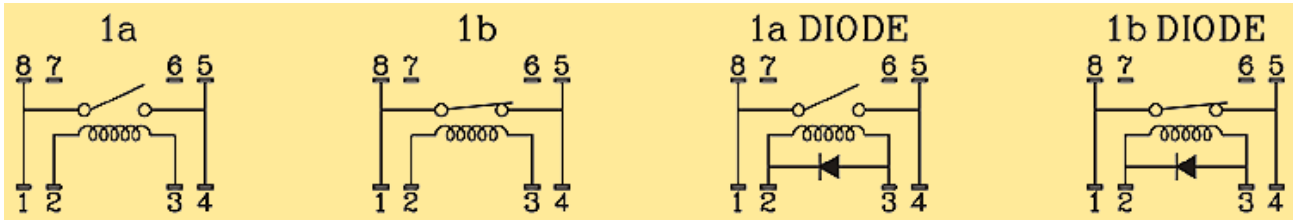
CONTACT RATING

Item	Type	0.5A
Rated Carrying Current		DC 20V 0.5A AC 20V 0.5A DC 100V 0.1A AC 100V 0.1A
Max. Allowable Current		1A
Max. Allowable Voltage		DC 100V AC 100V
Max. Current (continual)		0.5A
Max. Switching Power		10W, 10VA
Max. Switching Voltage		DC 200V
Max. Switching Current		0.5A
Contact Material		Ruthenium

DIMENSIONS (Unit : mm)



WIRING DIAGRAMS (Bottom View)



Taipei Head Office

Address: 246 Lian Cheng Road, Chung-Ho City, Taipei, Taiwan

Tel: +886-2-22263388

Fax: +886-2-22263066

Home page: <http://www.sunhold.com>

E-mail: sunhold@sunhold.com

Gung-Dong Factory

Address: 1st Industrial Zone, Da-Jing Hou-Jie Town, Dong-Guan City, Guang-Dong, China

Tel: +86-769-5827502

Fax: +86-769-5827503