

## BRLK29-R USERS GUIDIE

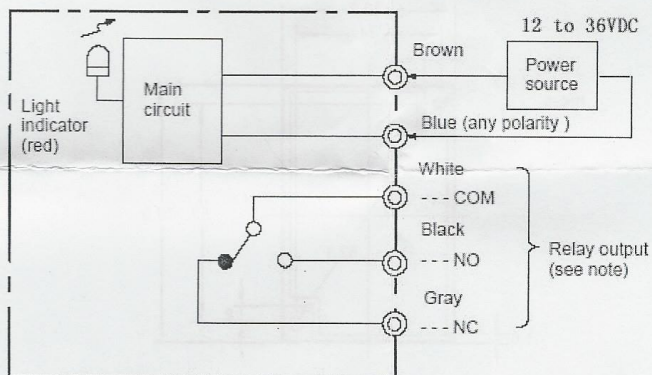
### PRODUCT DESCRIPTION:

The BRLK 29-R is a reflexion light barrier with extremely low perturbing radiation and is predestined for very rough environment conditions. On principle no hightech light barriers are necessary for surveillance and automation applications at industrial doors, doors, escalators and lifts. A robust standard and reliability for a fair price are the aims. In today's world the electromagnetic compatibility also with light barriers belongs to the largest interference factors. With the new BRLK 29 Bircher Reglomat AG now offers a light barrier, which guarantees reliability with all conditions of environment.

### SPECIFICATIONS:

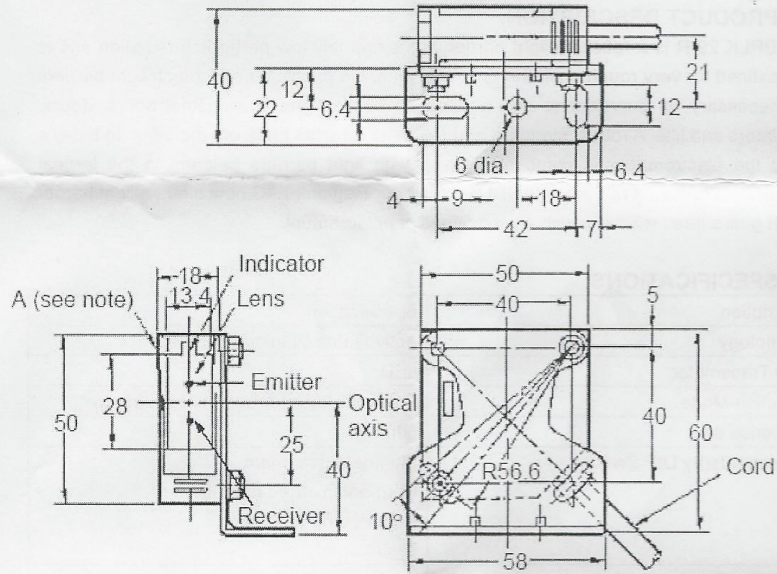
Description	Specification
Technology	Active infrared,microprocessor
Light Transmitter	LED
Detection Mode	Presence(by interruption of the beam)
Response time	50ms
Adjustments(by DIP Switch)	Single/double beam Normalbal/inverted outputs Reduced/normal range Test/normal
Operating Temperature	-20°C to +60°C
Supply Voltage	12V-36V DC
Output	1 relay (Voltage-free contact)
Sensing distance	4.0 m
Weight	70g

### Relay Output and wires for connection:



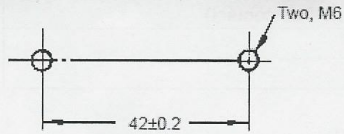
Photoelectric Switch for Automatic Door

± Dimension:

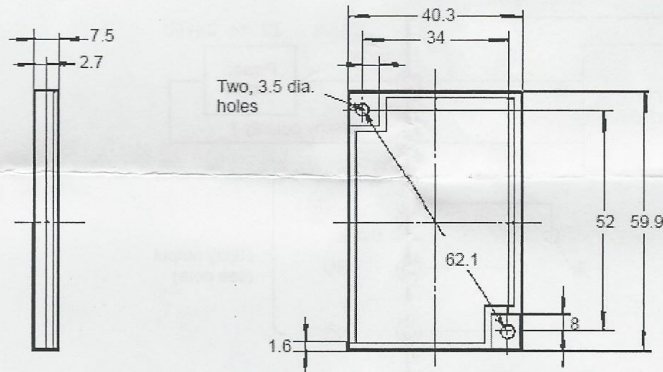


The mounting bracket (Provided with two M4X20 Screws) can be connected to side A.

± Mounting Hole:



± Reflectors:



### Sensor infrarrojo de barrera

Clave: SHT-015B



Este sensor infrarrojo de barrera (reflectivo) detecta la presencia de una persona o un objeto que interrumpe el haz de luz que pasa a través de su trayectoria. Normalmente se utiliza para la seguridad, la notificación de entrada ó salidas, incluso para domótica y la puesta en marcha de algún dispositivo a la activación. El transmisor emite un haz de luz invisible o infrarroja a través del aire a lo largo de una trayectoria deseada.

Cuando el haz se interrumpe, se envía una señal al relé interno, que está conectada a los controles del dispositivo.

- Alcance efectivo 3.5m
- Voltaje UB [V] 12...36 DC
- Corriente IL [mA] <200
- Salidas: 1 relevador