

RF-500TB



Precious metal-brush motors

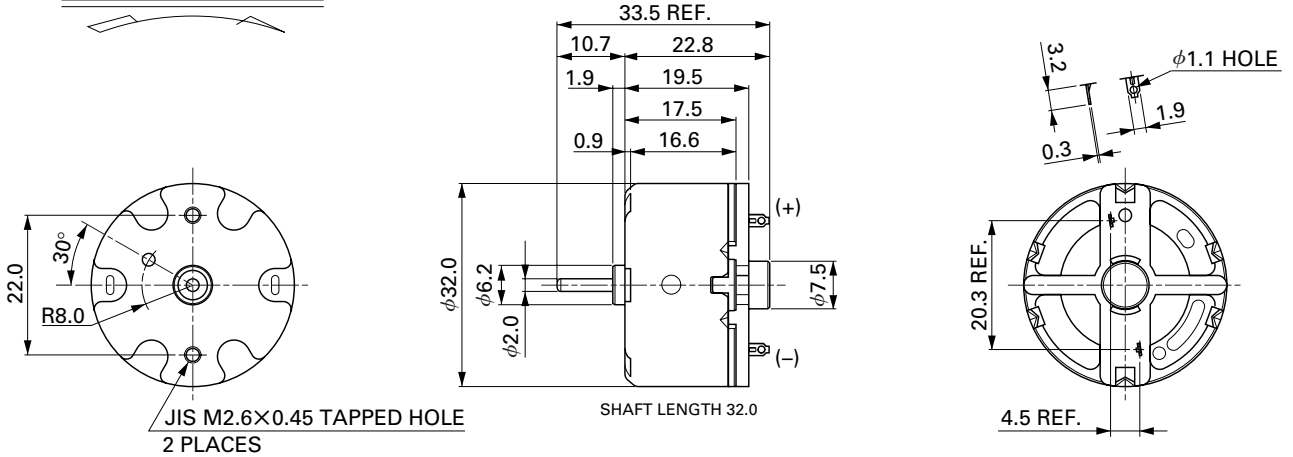
OUTPUT : 0.01W~2.0W (APPROX)

WEIGHT : 45g (APPROX)

Typical Applications Audio and Visual Equipment : CD Player / DVD Player / VCR

MODEL	VOLTAGE		NO LOAD		AT MAXIMUM EFFICIENCY				STALL			
	OPERATING RANGE	NOMINAL	SPEED r/min	CURRENT A	SPEED r/min	CURRENT A	TORQUE mN-m	TORQUE g-cm	OUTPUT W	TORQUE mN-m	TORQUE g-cm	CURRENT A
RF-500TB-14415	1.5~9.0	5V CONSTANT	3100	0.026	2540	0.12	1.23	12.6	0.33	6.86	70	0.54
RF-500TB-12560	1.5~12.0	6V CONSTANT	2700	0.020	2180	0.084	1.13	11.6	0.26	5.88	60	0.35

DIRECTION OF ROTATION

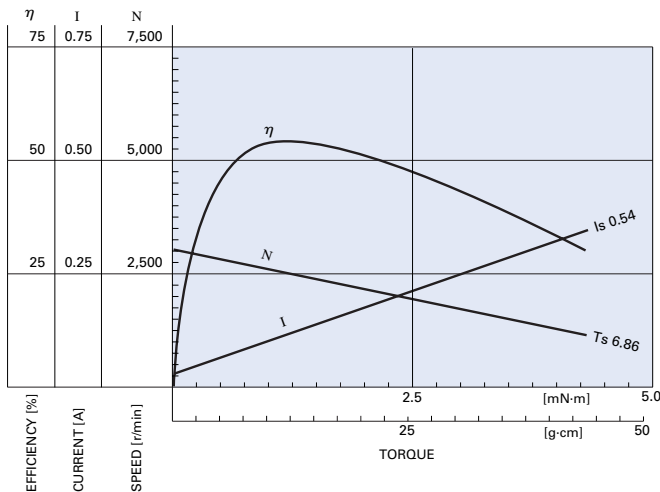


Usable machine screw length 1.5 max. from motor mounting surface.

UNIT: MILLIMETERS

RF-500TB-14415

5.0V



RF-500TB-12560

6.0V

