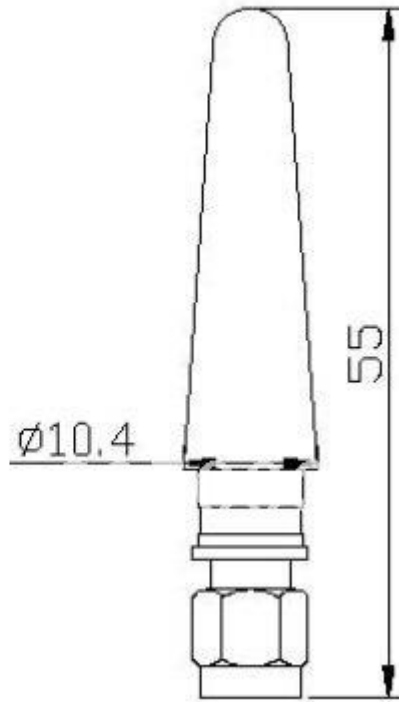


# 1 Dimension(Unit : mm):



- 1)GSM L-type antenna,GPS Active Antenna,GPS+GSM Antenna,WIFI Antenna
- 2)GSM/CDMA Car Terminal Rubber Antenna
- 3) Frequency:824~894/1710~1990MHZ,  
880~960/1710~1990MHZ,  
1920~2170MHZ
- 4)Certification:ROSH, CE, ISO9001:2000

Post Environmental Tolerance (Refer to the form 1~2 )

Condition:Temperature range  $25\pm 3^{\circ}\text{C}$

Relative Humidity range 55~75%RH

Operating Temperature range  $-40^{\circ}\text{C}\sim +85^{\circ}\text{C}$

Storage Temperature range  $-40^{\circ}\text{C}\sim +100^{\circ}\text{C}$

## 5.1 Moisture Proof

The device should satisfy the electrical characteristics specified in form 1~2 after exposed to the temperature  $40\pm 2^{\circ}\text{C}$  and the relative humidity 90~95% RH for 96 hours and 1~2 hours recovery time under normal condition.

## 5.2 Vibration Resist

The device should satisfy the electrical characteristics specified in form 1~2 after applied to the vibration of 10 to 55Hz with amplitude of 1.5mm for 2 hours each in X , Y and Z directions.

## 5.3 Drop Shock

The device should satisfy the electrical characteristics specified in form 1~2 after dropping onto the hard wooden board from the height of 30cm for 3 times each facet of the 3 dimensions of the device.

## 5.4 High Temperature Endurance

The device should satisfy the electrical characteristics specified in form 1~2 after exposed to temperature  $80\pm 5^{\circ}\text{C}$  for  $24\pm 2$  hours and 1~2 hours recovery time under normal temperature.

#### 5.5 Low Temperature Endurance

The device should also satisfy the electrical characteristics specified in form 1~2 after exposed to the temperature  $-40^{\circ}\text{C}\pm 5^{\circ}\text{C}$  for  $24\pm 2$  hours and to 2 hours recovery time under normal temperature.

#### 5.6 Temperature Cycle Test

The device should also satisfy the electrical characteristics specified in form 1~2 after exposed to the low temperature  $-25^{\circ}\text{C}$  and high temperature  $+85^{\circ}\text{C}$  for  $30\pm 2$  min each by 5 cycles and 1 to 2 hours recovery time under normal temperature.