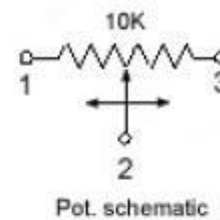
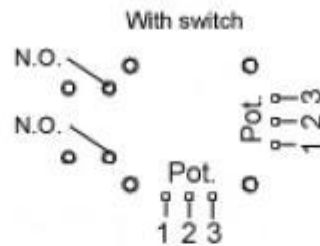


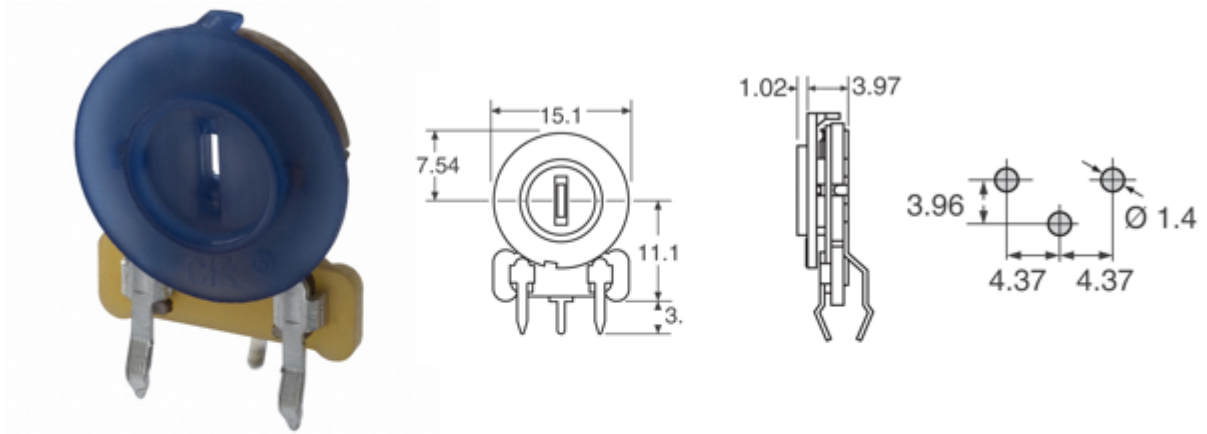
Clave: SHT-149A

Descripción: Joystick miniatura



Joystick Technical Data	
Handle Operating Angle	$\pm 30^\circ$ (60° overall); X & Y Axis
Center Return Accuracy	$\pm 5\%$
Max. Operating Force	<20 mN
Weight	6 grams
Potentiometer Specifications	
Resistance	10K ohms $\pm 30\%$
Maximum Voltage	30 VDC
Pushbutton Specifications	
Type	SPST - Momentary - Push to activate
Power	12V, 50mA

Trimmer 201XR Potentiometer



Potentiometer Technical Data	
Angle of Rotation	260° ± 5°
Stop Strength	2.5 in-lbs
Potentiometer Specifications	
Resistance	10K ohms ± 20%
Potentiometer Specifications	
Type	X201R103B
Power	.25W